

AC/DC 19" EURO SIZE

Switch Mode Power Supplies and Rectifiers



- EMC EN55022 A or B • Safety EN60950 • CE-marking
- High efficiency 82...89 % • Series and parallel connectable

AC/DC POWER SUPPLIES AND RECTIFIERS					
Type	Input Voltage	Output Voltage/Current	Output Power	Dimensions (Width/Height/Depth)	Connector
ADC1442	230/115 VAC	13.4VDC / 10A	140 W	14TE / 3U / 160 mm	DIN41612 H15
ADC1180	230 VAC	24VDC / 8A	200 W	14TE / 3U / 160 mm	DIN41612 H15
ADC4250	230 VAC	54.6VDC / 4A	200 W	14TE / 3U / 160 mm	DIN41612 H15
ADC7181/24	100-240VAC	0-36VDC / 30A	800W	14TE / 3U / 230 mm	DIN41612 H15
ADC7181/36	100-240VAC	0-54VDC / 20A	800W	14TE / 3U / 230 mm	DIN41612 H15
ADC7181/48	100-240VAC	0-72VDC / 15A	800W	14TE / 3U / 230 mm	DIN41612 H15
ADC7181/72	100-240VAC	0-108VDC / 10A	800W	14TE / 3U / 230 mm	DIN41612 H15
ADC7181/96	100-240VAC	0-144VDC / 7.5A	800W	14TE / 3U / 230 mm	DIN41612 H15



POWERNET



Sales & R&D: Mäkituvantie 3 H, FIN-01510 VANTAA, Tel. +358 9 8362 830, Fax +358 9 8362 8362
 Production and Service: Teollisuuskatu 3, FIN-44150 ÄÄNEKOSKI, Tel. +358 14 3396 400, Fax +358 14 3396 410
 E-mail: marketing@powernet.fi, service@powernet.fi, Internet: www.powernet.fi

INPUT SPECIFICATIONS

Input voltage range		See table at first page
Frequency		45...65Hz
Power factor		0.55...1 depending on type
Isolation:	input / ground	1500 VAC RMS 50Hz, 1min
(minimum)	input / output	3000 VAC RMS 50Hz, 1min
	output / ground	500 VDC
Overvoltages		Protected by VDR-resistor

OUTPUT SPECIFICATIONS

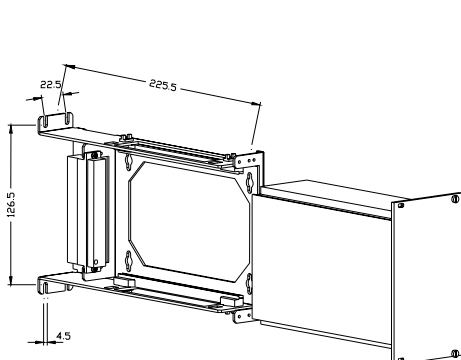
Output voltage setting range	typically $\pm 5...20\%$
Ripple voltage	typically $< 15\text{mV}_{\text{rms}}$
Load regulation	typically $\pm 1\%$
Line regulation	typically $\pm 0.1\%$
Current limit	typically $< 120\%$
Short circuit current	typically $< 200\%$

GENERAL SPECIFICATIONS

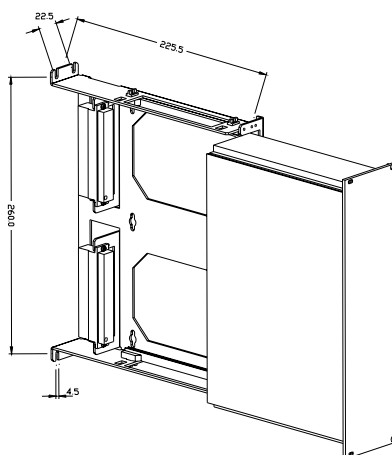
Efficiency	82...89%
Safety	EN 60950 Class 1
EMC	EN 55022 class A or B
Approvals	CE-marking
Enclosure	IP 20
Operation temperature	$-20^{\circ}\text{C}...+50^{\circ}\text{C}$, minimum
Humidity	5...85% RH IEC68-2-30
Cooling	Convection

ASK FOR MORE DETAILED SPECIFICATIONS

WALL MOUNTING ADAPTERS



Type: WMA1710RM
Euro I modules



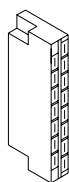
Type: WMA4550
Euro II modules

Euro I and Euro II units can be used without subrack by using simple wall mounting adapters.

Wall mounting by 4 screws from rear or side.

- Easy to install
- Small size
- Units can be changed easily
- Robust steel construction

H15 MATING CONNECTOR FOR EURO MODULES



Type: 55091500
H15 female